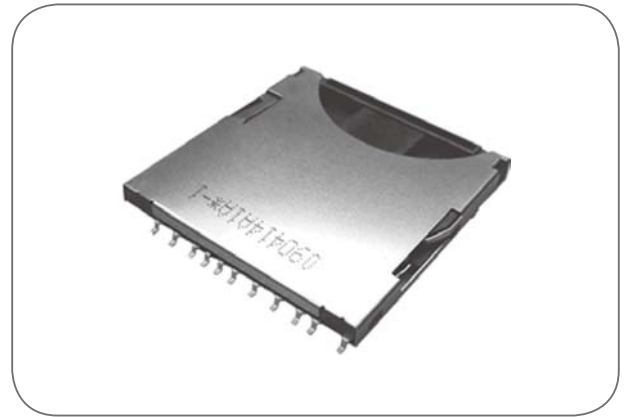


SD/MMC 2 in 1 (P/N:1111-2A007-201)

Material

- Housing : High Temperature Thermoplastic
UL 94V-0
- Shell : Stainless Steel
- Contact : Copper Alloy
- Plating : All of the Contact Part Out Surface Ni Plating 80 μ "
Contact Area : Gold Flash
Solder Tail : 100 μ " Matter Sn Plating



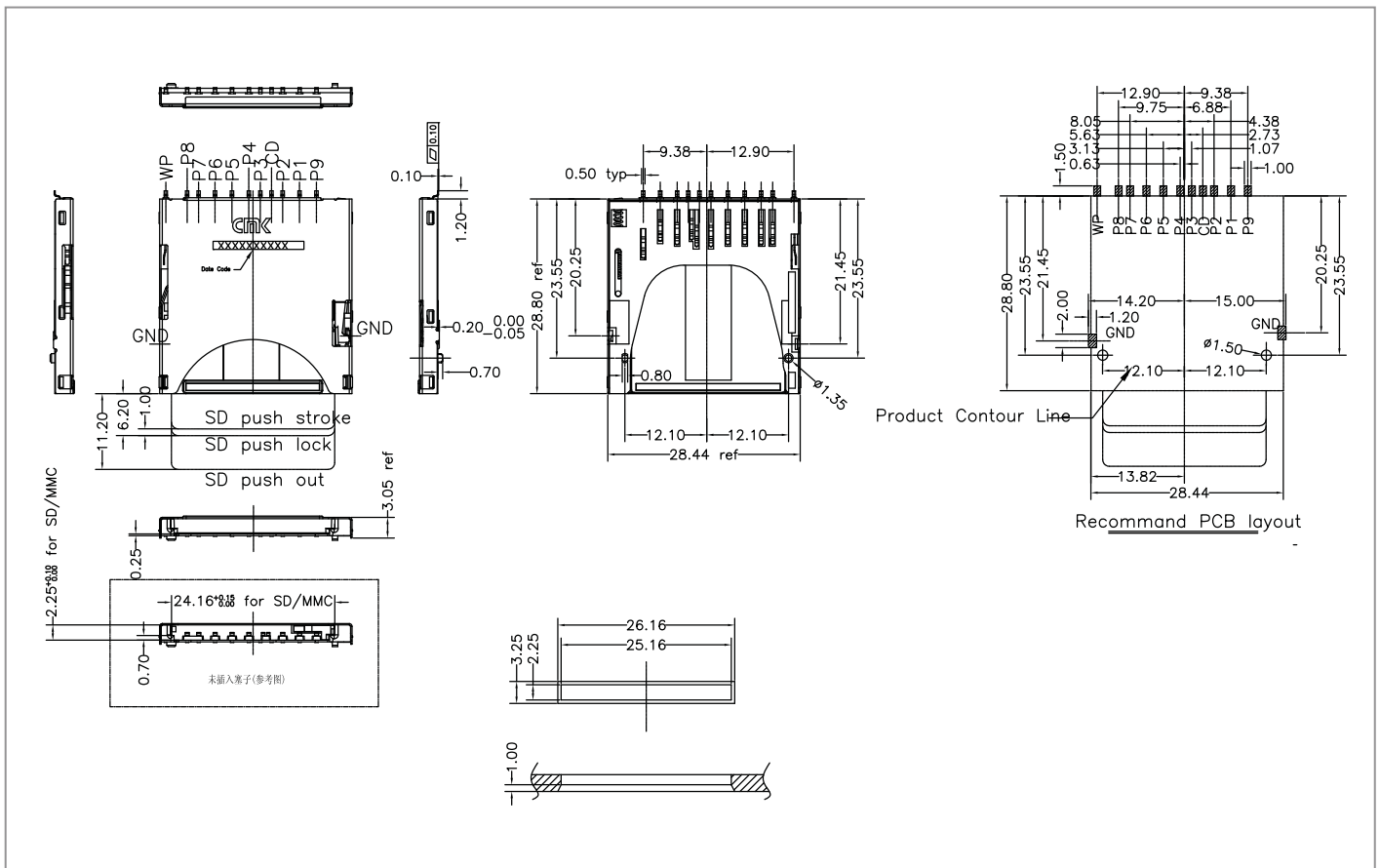
Specification

- Rate Voltage : 5V DC
- Rate Current : 10mA Max.
- Contact Resistance : 40m Ω Max.
- Dielectrics Strength : 500V AC for 1 Min.
- Contact Mating Force : < 30N
- Life Cycle : 10,000
- Operating Temperature : -40 $^{\circ}$ C ~ +85 $^{\circ}$ C

Application

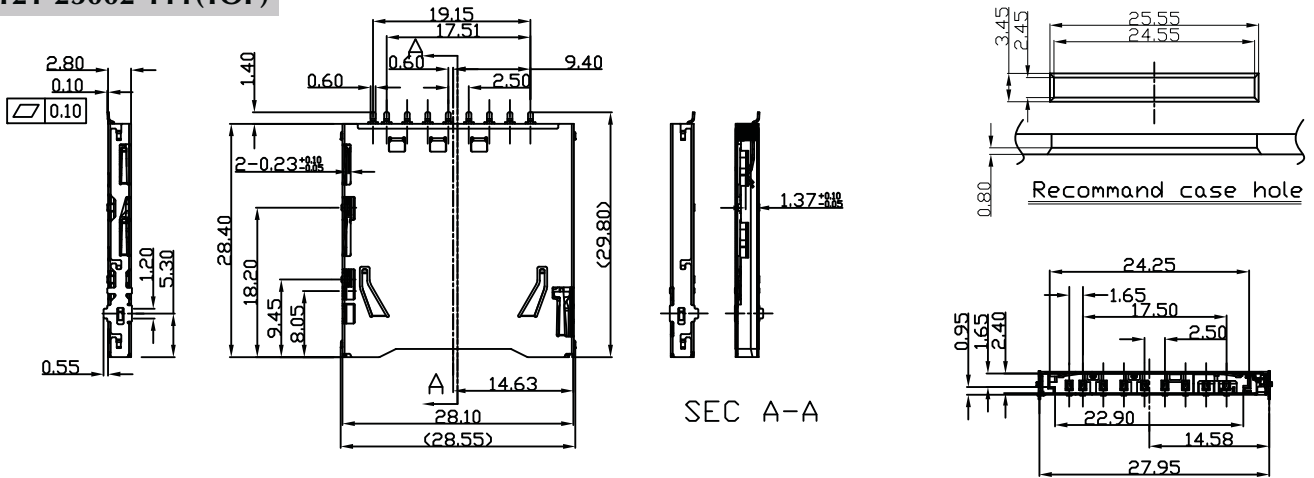
- DPF (Digital Photo Frame)
- MP3 / MP4
- Consumer Application
- IT Application

Unit:mm



SD Push

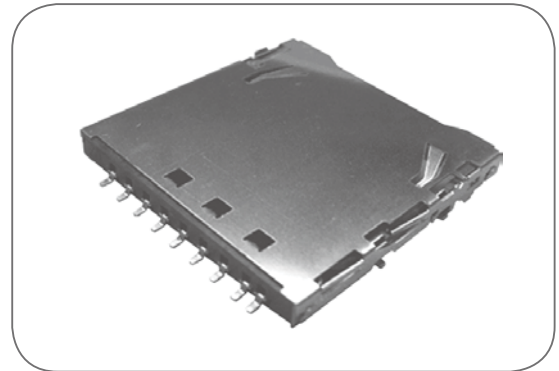
1121-23002-111(TOP)



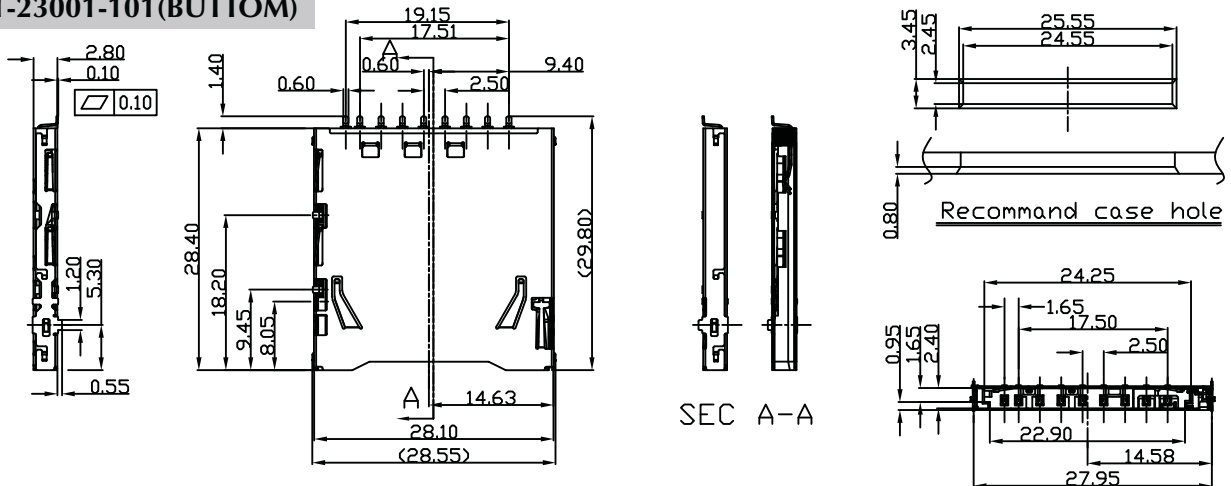
Order Information

1121-23002-X11

Packaging Code:
1: Tray Package
2: Reel Package



1121-23001-101(BOTTOM)



Order Information

1121-23001-X01

Packaging Code:
1: Tray Package
2: Reel Package



CQ1-B (P/N:1140-11021002-100)

Material

- Housing : High Temperature Thermo Plastic
UL 94V-0
- Shell : Stainless Steel
- Contact : Copper Alloy
- Plating : All of the Contact Part Out Surface Ni Plating 80 μ"
Contact Area : Gold Flash
Solder Tail : 100 μ" Matter Sn Plating



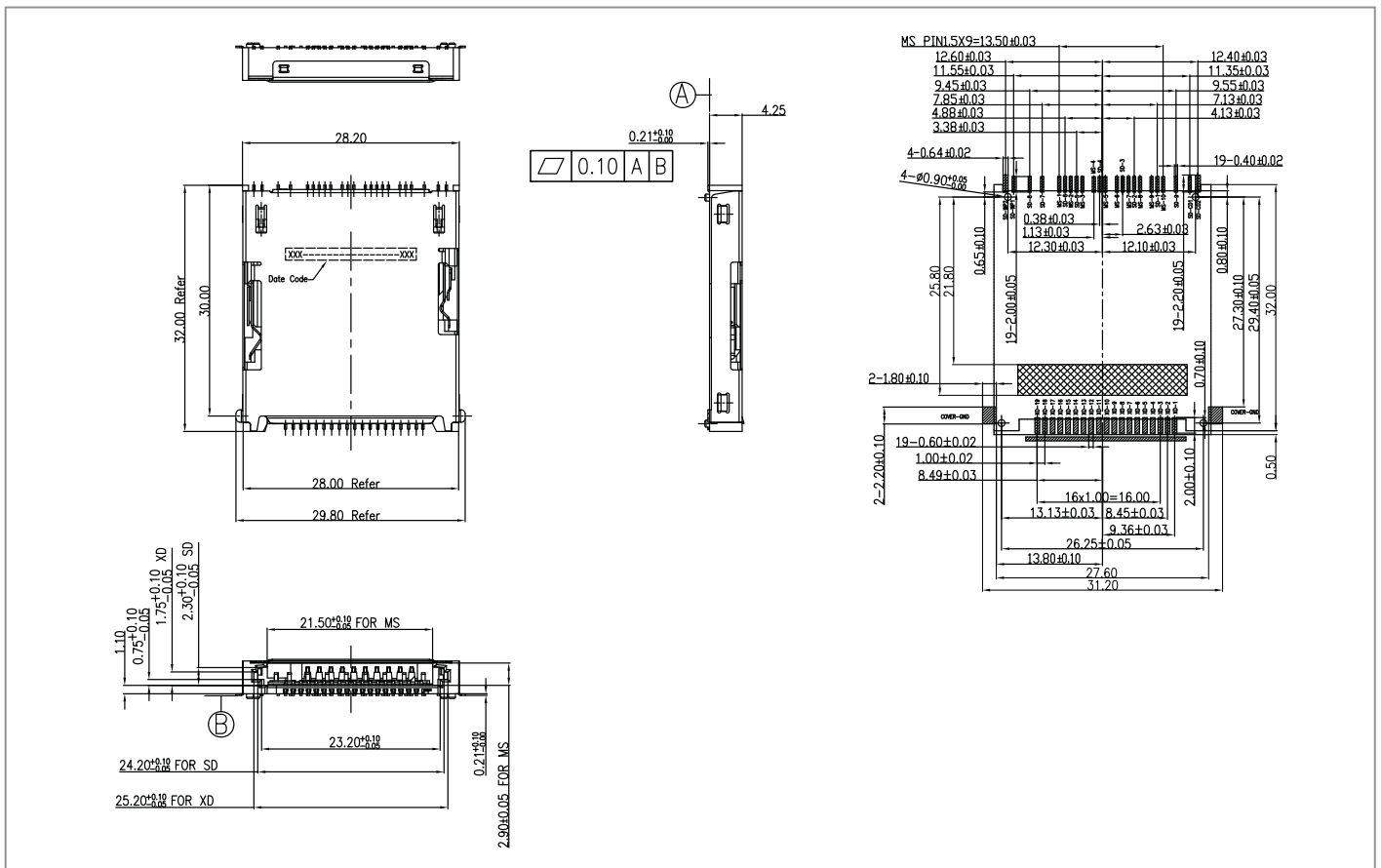
Specification

- Rate Voltage : 5V DC
- Rate Current : 10mA Max.
- Contact Resistance : 40mΩ Max.
- Dielectrics Strength : 500V AC for 1 Min.
- Contact Mating Force : MS < 10N; SD < 30N; XD < 10N
- Life Cycle : MS:12,000 ; SD:10,000 ; XD:10,000
- Operating Temperature : -40°C ~ +85°C

Application

- DPF (Digital Photo Frame)
- MP3 / MP4
- Consumer Application
- IT Application
- Insert Molding Type

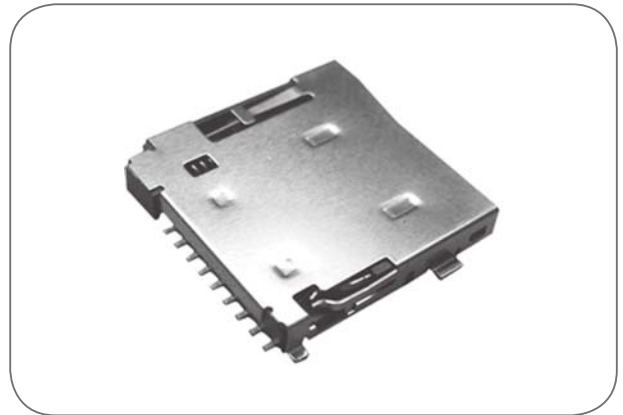
Unit:mm



TFP1 (P/N:1111-2A009-211)

Material

- Housing : High Temperature Thermo Plastic
UL 94V-0
- Shell : Stainless Steel
- Contact : Copper Alloy
- Plating : All of the Contact Part Out Surface Ni Plating 80 μ "
Contact Area : Gold Flash
Solder Tail : 100 μ " Matter Sn Plating



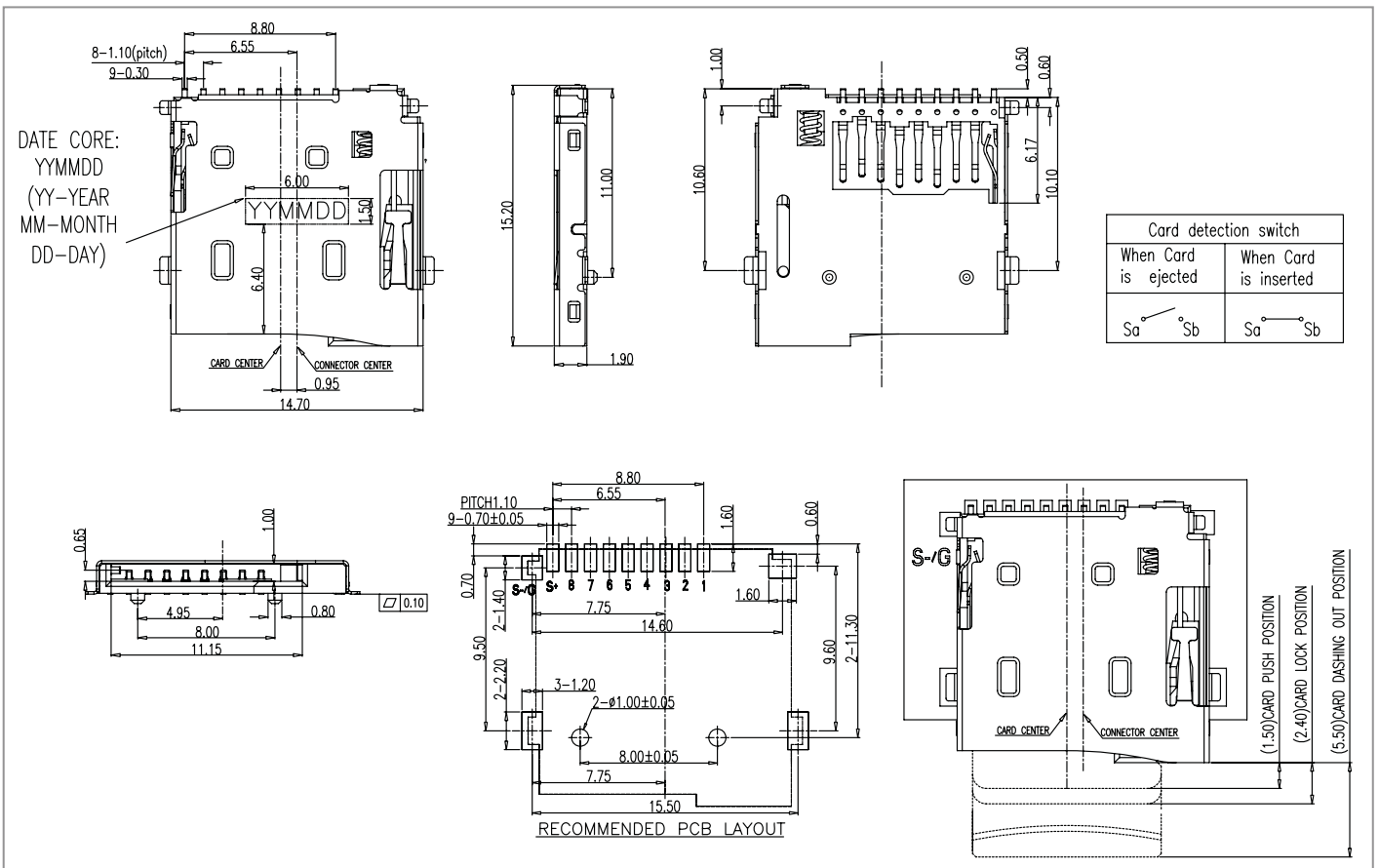
Specification

- Rate Voltage : 5V DC
- Rate Current : 10mA Max.
- Contact Resistance : 40m Ω Max.
- Dielectrics Strength : 500V AC for 1 Min.
- Contact Mating Force : < 30N
- Life Cycle : 10,000
- Operating Temperature : -40 $^{\circ}$ C ~ +85 $^{\circ}$ C

Application

- Mobile Phone
- MP3 / MP4
- Consumer Application
- IT Application
- Insert Molding Technology

Unit:mm



TFH1 (P/N:1110-2A001-201)

Material

- Housing : High Temperature Thermo Plastic
UL 94V-0
- Shell : Stainless Steel
- Contact : Copper Alloy
- Plating : All of the Contact Part Out Surface Ni Plating 80 μ "
Contact Area : Gold Flash
Solder Tail : 100 μ " Matter Sn Plating



Specification

- Rate Voltage : 5V DC
- Rate Current : 10mA Max.
- Contact Resistance : 40m Ω Max.
- Dielectrics Strength : 500V AC for 1 Min.
- Contact Mating Force : < 30N
- Life Cycle : 10,000
- Operating Temperature : -40 $^{\circ}$ C~+85 $^{\circ}$ C

Application

- Mobile Phone
- MP3 / MP4
- Consumer Application
- IT Application
- Insert Molding Technology

Unit:mm

