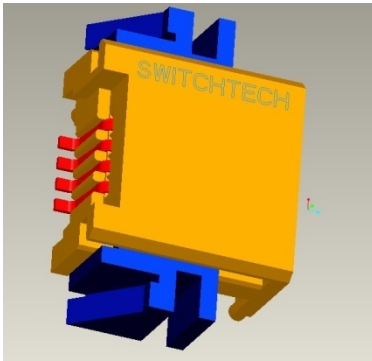


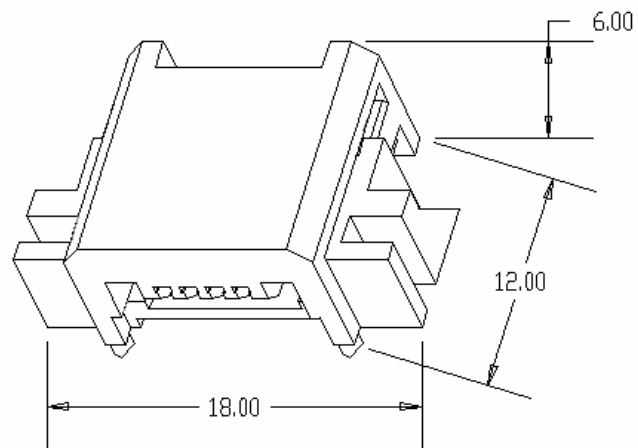
Switchtech Enterprise Ltd



*Switchtech New innovation for medical purpose connector,
(blood testing meter)*

Dual directions withdraw connector (DDWC)

1. *Withdrawing blood testing strip without physical contact.*
2. *Withdrawing testing strip from vertical or horizontal direction using same connector, save your money and warehouse space.*
3. *Simple frame easy to apply your design to withdraw testing strip.*
4. *Competitive price and reliable performance, life cycle over more 5000 times.*
5. *Pitch 1.25mm, 4 pins (other contacts and pitch on request).*
6. *Compact size: 18*12*6mm.*
7. **Patent pending.**



威祈有限公司

Switchtech Enterprise Ltd.

北市內湖瑞光路 513 巷 36 號 8F

8F, No. 36, Lane 513, Rueigunag Rd., Neihu Taipei Taiwan

Tel: + 886 2 87973316

Fax: + 886 2 87973313

www.switchtech.com.tw

robert@switchtech.com.tw