

◆ Rating : UL 80°C/105°C, 30V/ 60V

◆ Standard : Applicable standard UL62, UL Subject 758.

### Merits of FFC

- Simplify Wiring Process
- Space Saving
- Labor Saving
- Thin And Flexible

### Customer Service

- Customer Design
- No. of Conductor & Conductor Dimension
- Cable Length
- Cable Pitch
- Taping (Double Side Adhesive Tape)
- Folding / Half Stripping

### Application

- Super Flex Type : DVD Driver, CD ROM Driver, CDP, ETC.
- General Type : Audio, Video, Scanner, Printer, Cordless Phone, Fax M/C, Note Book PC., Car Audio, Home Equipment, ETC.
- Shield Type : EMI Application
- Black Color Type Available

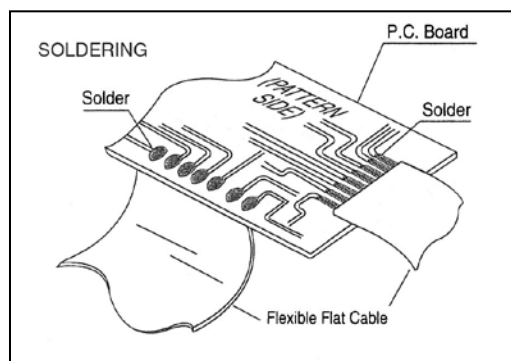
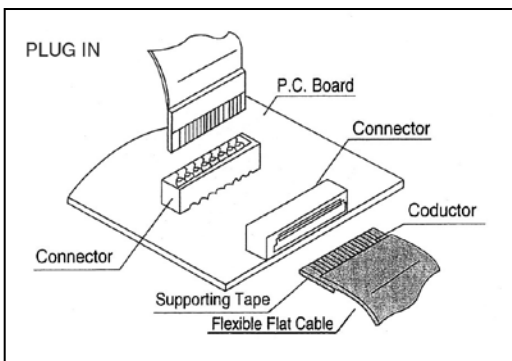
### Applicable UL No.

UL No.	Voltage Rating	Operating Temperature
UL 2896	30V	80°C
UL 20624	60V	80°C

### Selection Guide For Conductors

Pitch		0.5	1.0	1.25	2.0	2.54
Conductors For Type	Thickness	0.1	0.1		0.1	
		0.05	0.05			
		0.035	0.035			
Width		0.3	0.65	0.8	0.8	1.27

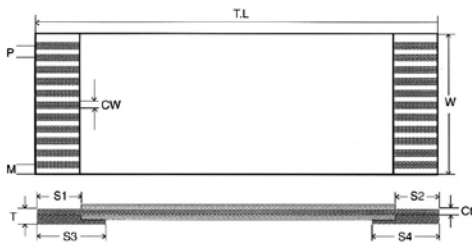
### Connection









Characteristics of Connector Fit

No.	Item	Characteristics	
1	Contact Resistance (Below 100mA)	Initial	No More Than 30mΩ
		After Test	No More Than 50mΩ
2	Insulation Resistance Between Conductors (DC 500V)	Initial	More Than 100MΩ
		After Test	More Than 50MΩ
3	Dielectric Strength Between Conductors (DC 500V/1Min.)		Withstand The Voltage
4	Stability (After 20 Times Insert and Pull Out)		Must Pass Item No. 1 and No. 2
5	Salt Water Spray (MIL-STD-202E, 101D Left Unattended For 48 Hours)		"
6	Temperature Cycling (MIL-STD-202E, 102A 5 Cycles)		"
7	Moisture Resistance (MIL-STD-202E, 106D)		"

Cable Type



TYPE	A	B	C	D	E	F
S H A P E						

Pitch	P/N	T.L	Type	Ct	Cw	S1,S2	S3,S4	W	T
0.5 ~ 2.54	4~99	15 ↑	A,B,C,D E,F	0.035 ~ 0.1	0.32 ~ 1.27	2 ~ 7	3 ↑	5 ↑	0.25 ↑

Ordering information

P	x	C	x	T.L	x	TYPE	x	(Ct x Cw)	x	S1	x	S2	x	S3	x	S4
▼		▼		▼		▼		▼		▼		▼		▼		▼
Pitch		No.of Conductor		Total Length		Cable Type		Conductor Size (Thickness x With)		Length of Conductor opening			Protector Tape Length			
■ EXAMPLE : 1.25	x	16	x	100	x	C	x	(0.1 x 0.8)	x	5	x	5	x	10	x	10
		1.25 Pitch		16 Pin		100mm		Type		0.1mm x 0.8 mm		Length of Conductor opening		Protector Tape Length		

BL125 ZIF Straight SMT (Lower Contact Type)

Material

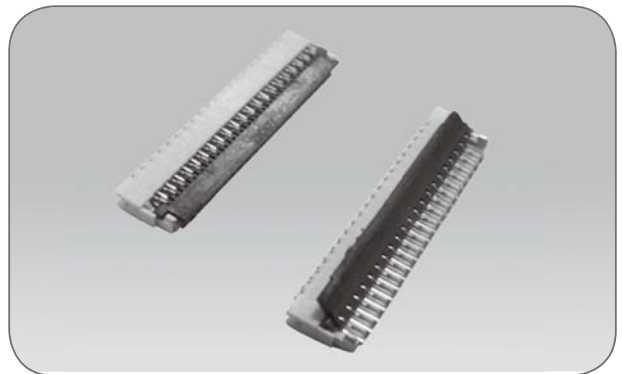
- Housing : LCP (UL 94V-0)
- Actuator : LCP (UL 94V-0)
- Terminal : Phosphor Bronze
- Stopper : Phosphor Bronze

Plating

- Terminal : See Ordering Information
- Stopper : Tin Over Nickel (Lead Free)

Specification

- Operating Voltage : 30V
- Current Rating : 0.2A
- Operating Temperature : -25°C~+85°C



Order Information

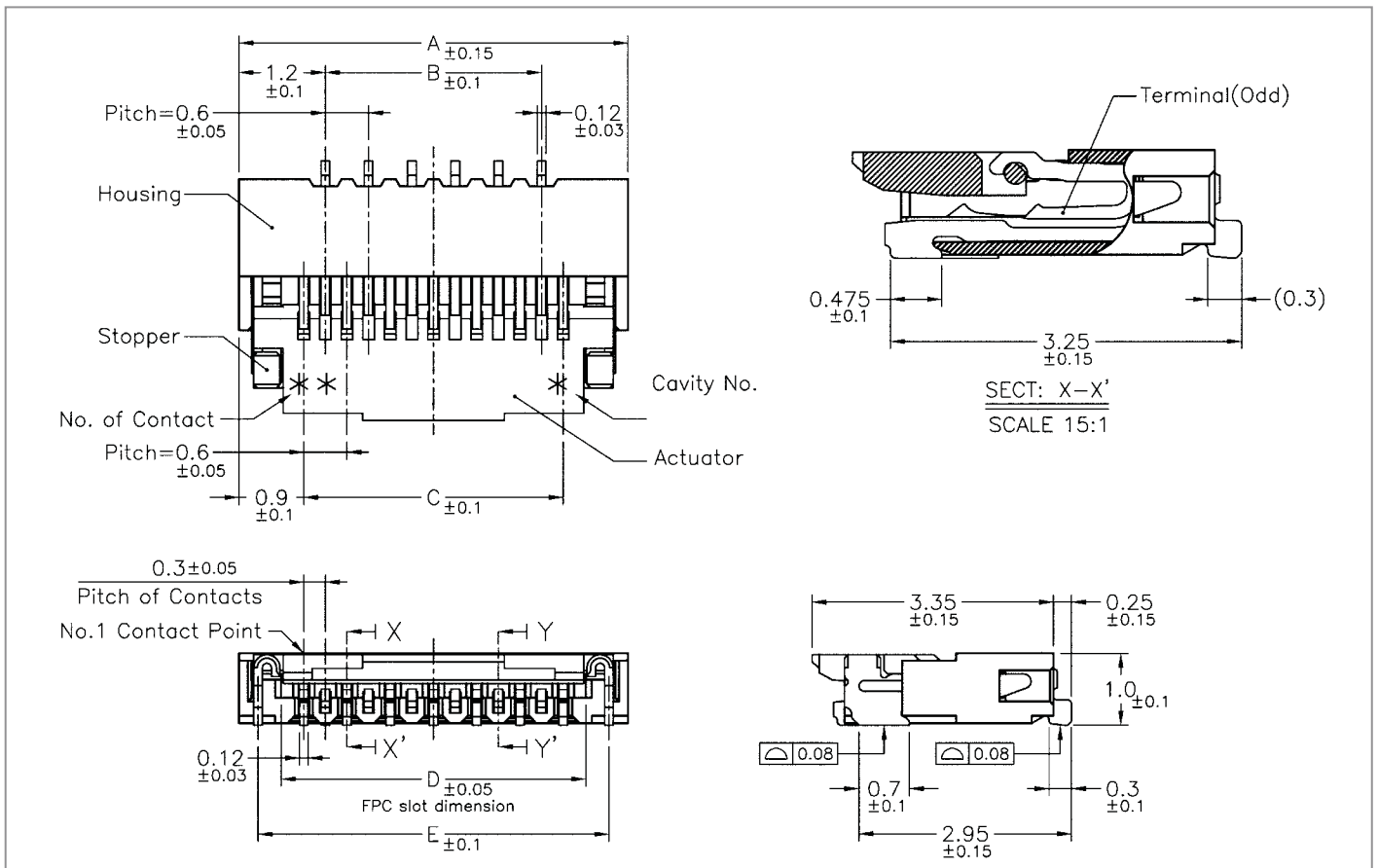
BL125 - xx RL - TA xx

Series

No. of Contacts

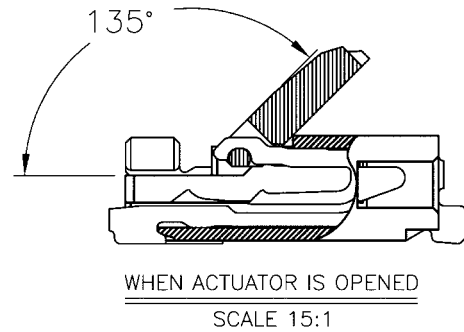
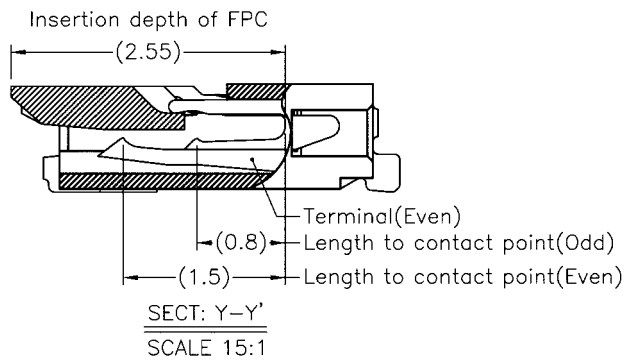
- ND - Tin Over Nickel (Lead Free)
- 3G - 3μ" Gold Over Nickel
- Package
- TA - Embossed Tape
- Right Angle (Lower Contact Type)

Unit : mm

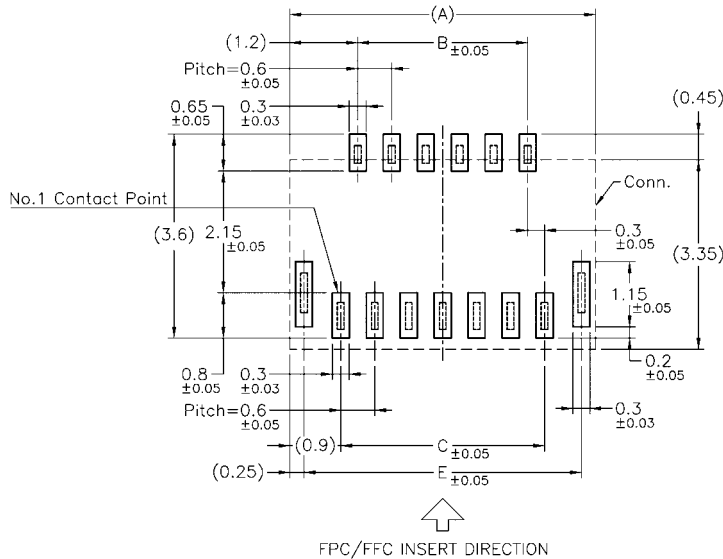


BL125 ZIF Straight SMT (Lower Contact Type)

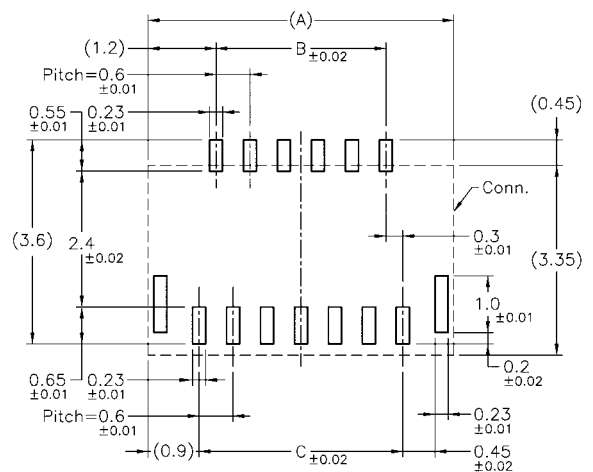
Unit : mm



PCB Layout



Recommended Metal Mask Pattern

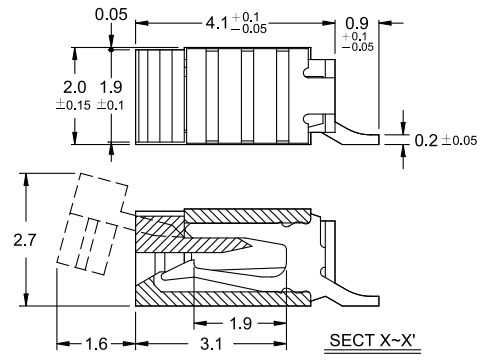
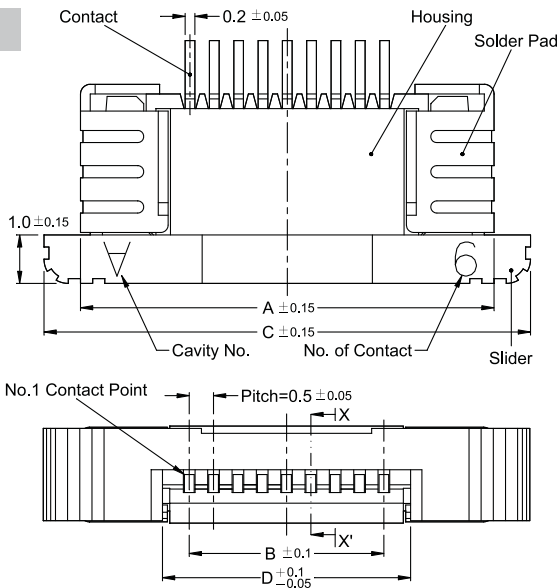


No. of Contacts	Part No.	DIM. A	DIM. B	DIM. C	DIM. D	DIM. E
13	BL125-13RL-TAxx	5.4	3.0	3.6	4.23	4.9
15	BL125-15RL-TAxx	6.0	3.6	4.2	4.83	5.5
17	BL125-17RL-TAxx	6.6	4.2	4.8	5.43	6.1
19	BL125-19RL-TAxx	7.2	4.8	5.4	6.03	6.7
21	BL125-21RL-TAxx	7.8	5.4	6.0	6.63	7.3
23	BL125-23RL-TAxx	8.4	6.0	6.6	7.23	7.9
25	BL125-25RL-TAxx	9.0	6.6	7.2	7.83	8.5
27	BL125-27RL-TAxx	9.6	7.2	7.8	8.43	9.1
29	BL125-29RL-TAxx	10.2	7.8	8.4	9.03	9.7
31	BL125-31RL-TAxx	10.8	8.4	9.0	9.63	10.3
33	BL125-33RL-TAxx	11.4	9.0	9.6	10.23	10.9

No. of Contacts	Part No.	DIM. A	DIM. B	DIM. C	DIM. D	DIM. E
35	BL125-35RL-TAxx	12.0	9.6	10.2	10.83	11.5
37	BL125-37RL-TAxx	12.6	10.2	10.8	11.43	12.1
39	BL125-39RL-TAxx	13.2	10.8	11.4	12.03	12.7
41	BL125-41RL-TAxx	13.8	11.4	12.0	12.63	13.3
45	BL125-45RL-TAxx	15.0	12.6	13.2	13.83	14.5
49	BL125-49RL-TAxx	16.2	13.8	14.4	15.03	15.7
51	BL125-51RL-TAxx	16.8	14.4	15.0	15.63	16.3
57	BL125-57RL-TAxx	18.6	16.2	16.8	17.43	18.1
61	BL125-61RL-TAxx	19.8	17.4	18.0	18.63	19.3
71	BL125-71RL-TAxx	22.8	20.4	21.0	21.63	22.3
---	---	---	---	---	---	---

BL112 ZIF Right Angle SMT (Lower / Upper Contact Type)

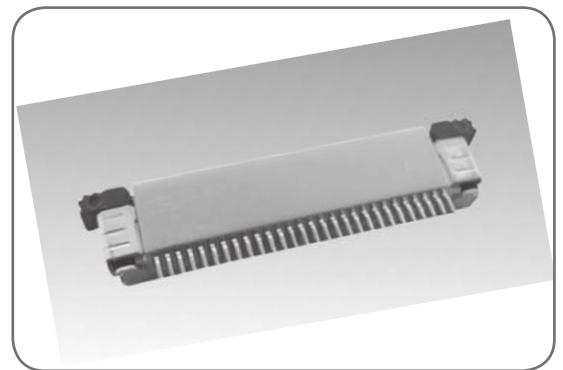
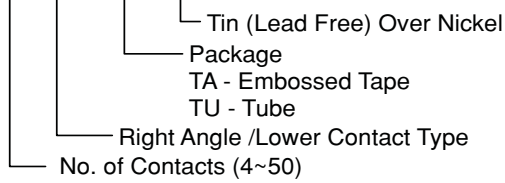
Lower Type



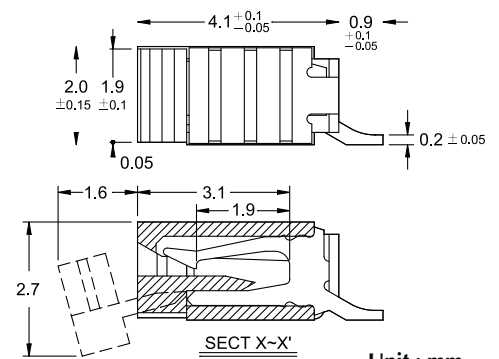
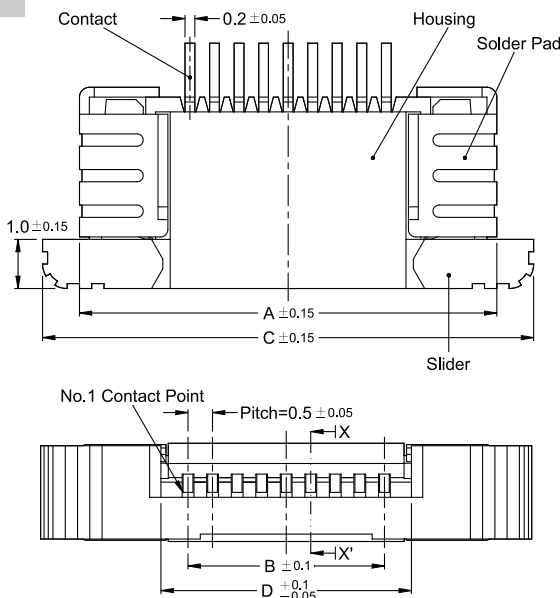
Unit : mm

Order Information

**BL112 - xx RL - xx ND**



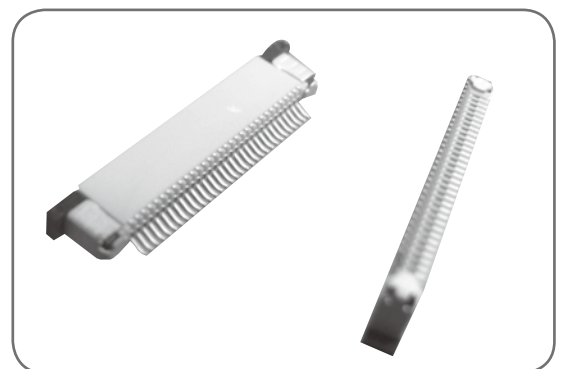
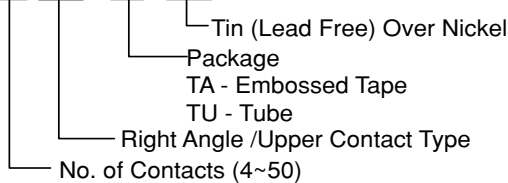
Upper Type



Unit : mm

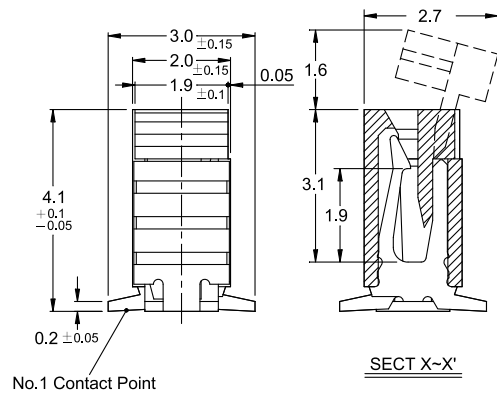
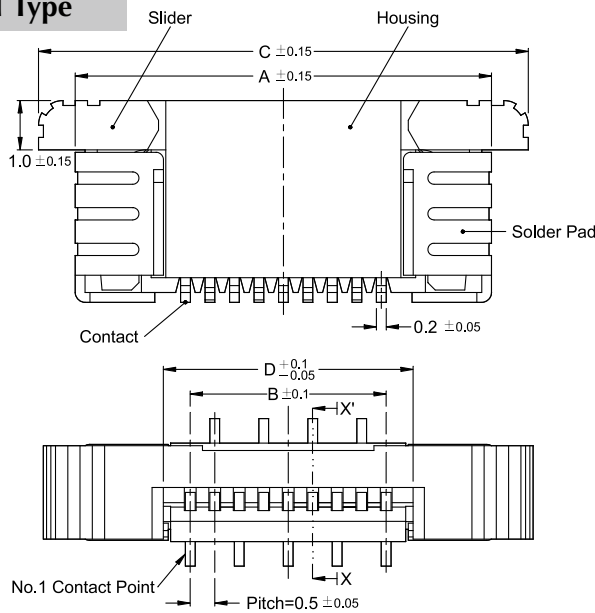
Order Information

**BL112 - xx RU - xx ND**

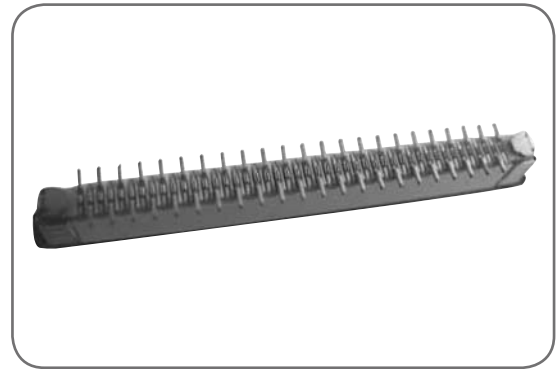


BL112 ZIF Straight (180°) SMT / X SMT

180° SMT Type



Unit : mm

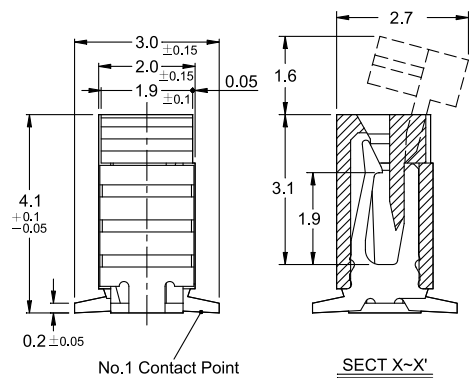
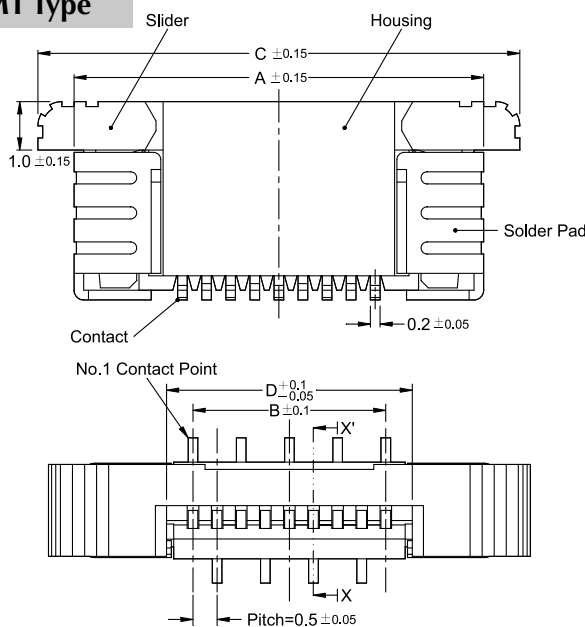


Order Information

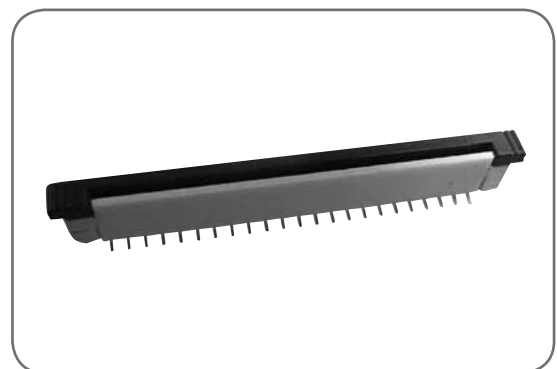
**BL112 - xx S - xx ND**

- Tin (Lead Free) Over Nickel
- Package
- TA - Embossed Tape
- TU - Tube
- Straight Type
- No. of Contacts (4~50)

180° X SMT Type



Unit : mm



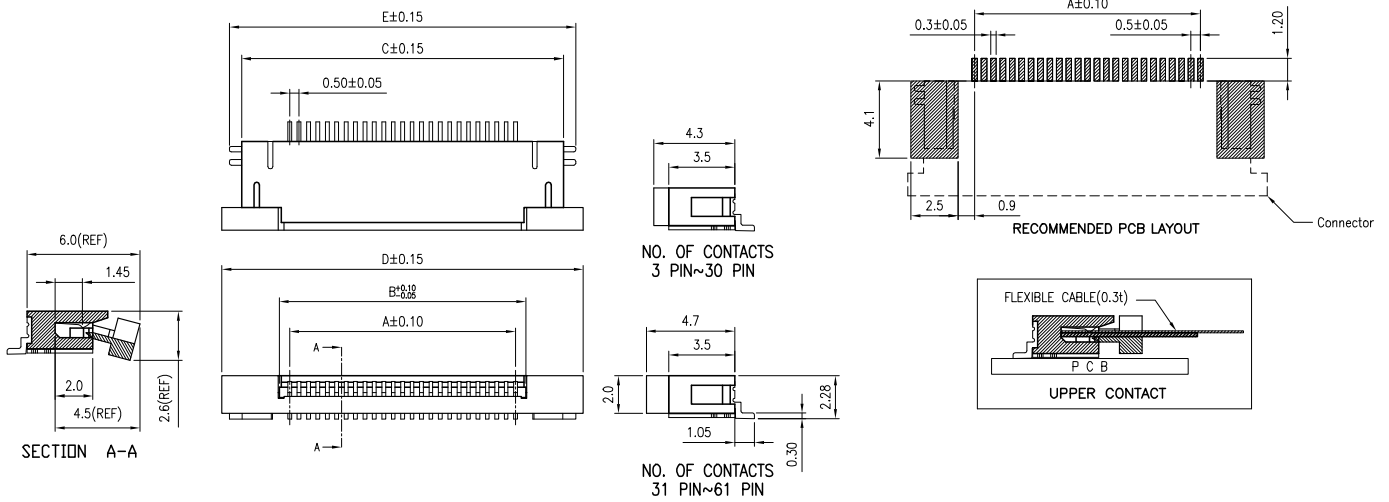
Order Information

**BL112 - xx SX - xx ND**

- Tin (Lead Free) Over Nickel
- Package
- TA - Embossed Tape
- TU - Tube
- Straight-X Type
- No. of Contacts (4~50)

FZ12X-ZIP Right Angle SMT (Lower/Upper Contact Type)

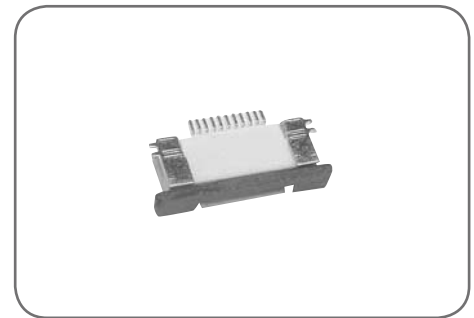
Upper Type



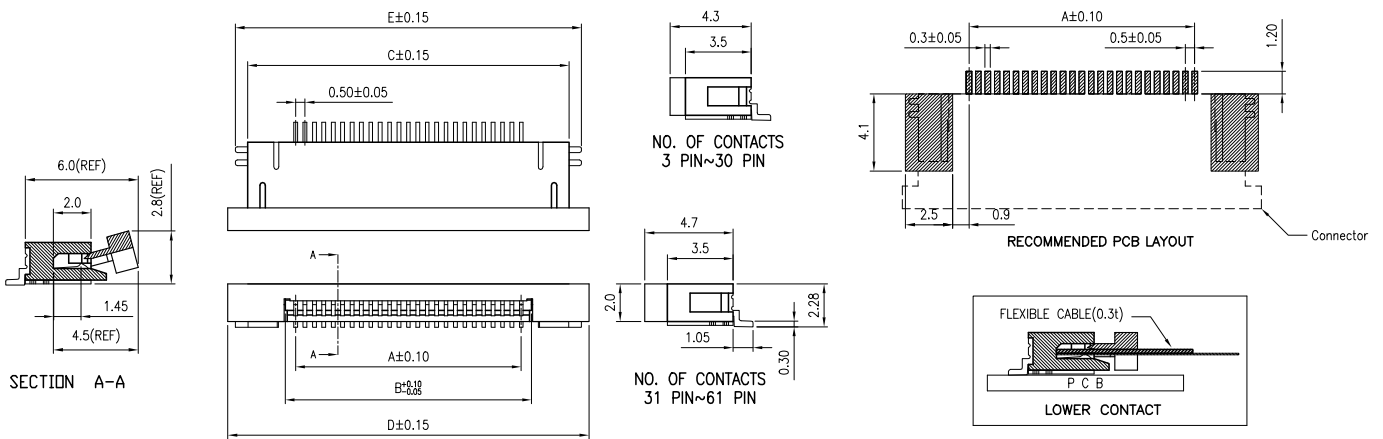
Order Information

**FZ 1 2 X - XX X**

- Packing 2: Tube 4: Reel
- No. of Contacts (03 - 61 pin)
- Type 3: Side Entry, Upper Contact (All Tin, Lead Free)
- 7: Side Entry, Upper Contact (All Gold 1u")
- Body High 2.0mm
- 0.5mm Pitch
- FPC ZIF SMT Series



Lower Type



Order Information

**FZ 1 2 X - XX X**

- Packing 2: Tube 4: Reel
- No. of Contacts (03 - 61 pin)
- Type 4: Side Entry, Lower Contact (All Tin, Lead Free)
- 8: Side Entry, Lower Contact (All Gold 1u")
- Body High 2.0mm
- 0.5mm Pitch
- FPC ZIF SMT Series



## FP124-XX-4-X

### Material

- Housing : PA46, UL94V-0, Color : Natural.
- Cover : PA9T, UL94V-0, Color : Black.
- Contact : Phosphor Bronze.
- Plating : All Tin, Lead Free, or All Gold.
- Holddown : Brass. Plating : All Tin, Lead Free, or All Gold.



### Specifications

- Voltage : 50V Max.
- Current : 0.4A Max.
- Dielectric Withstanding Voltage : 250 VAC.
- Insulation Resistance : 50MΩ Min.
- Contact Resistance : 20 Milliohms Max.
- Temperature Range : -20°C~+85°C

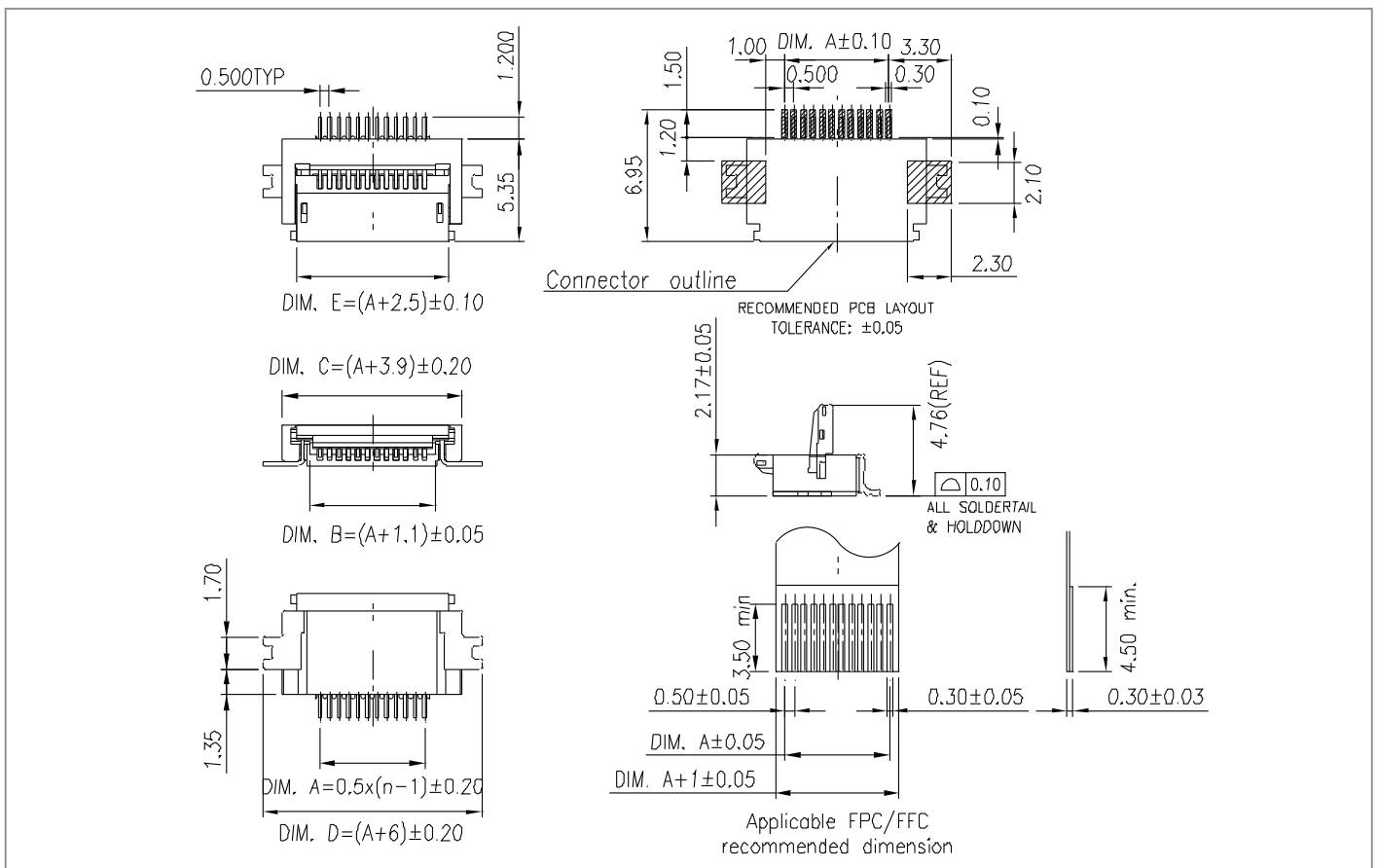
### Order Information

**FP - 1 2 4 - XX 4 - X**

X: PLATING  
 M : TERMINAL AND  
 HOLDDOWN ALL TIN,  
 LEAD FREE(MATTED)  
 GM : TERMINAL GOLD 1u",  
 HOLDDOWN TIN,  
 LEAD FREE(MATTED)

No. of Contacts 04 - 80 Pin

### Unit : mm





## EFC-PM24

### Material

- Contacts: Copper Alloy
- Insulator Housing: High Temp. Thermoplastic
- Slide: High Temp. Thermoplastic
- Hold Down: Copper Alloy
- Contact: Nickel In All Area  
Tin & Au over Nickel (RoHS Compliant)  
Tin over Nickel (RoHS Compliant)
- Hold Down: Nickel In All Area  
Tin over Nickel (RoHS Compliant)



### Specifications

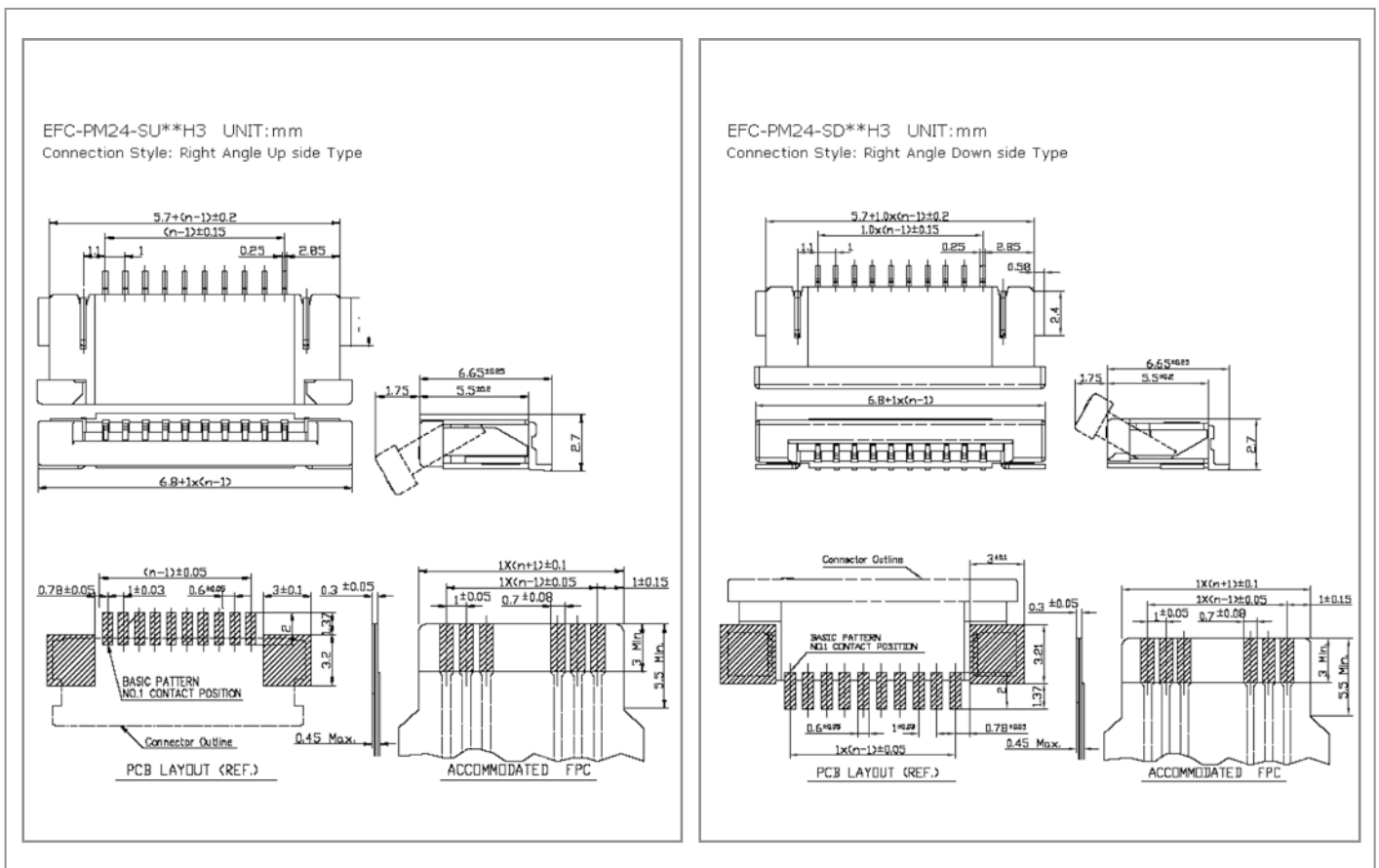
- Current Rating : 0.5A
- Voltage Rating : 50V DC
- Contact Resistance : 20mΩ Max.
- Insulation Resistance : 100MΩ Min.
- Temperature Range : -20°C~+85°C

### Order Information

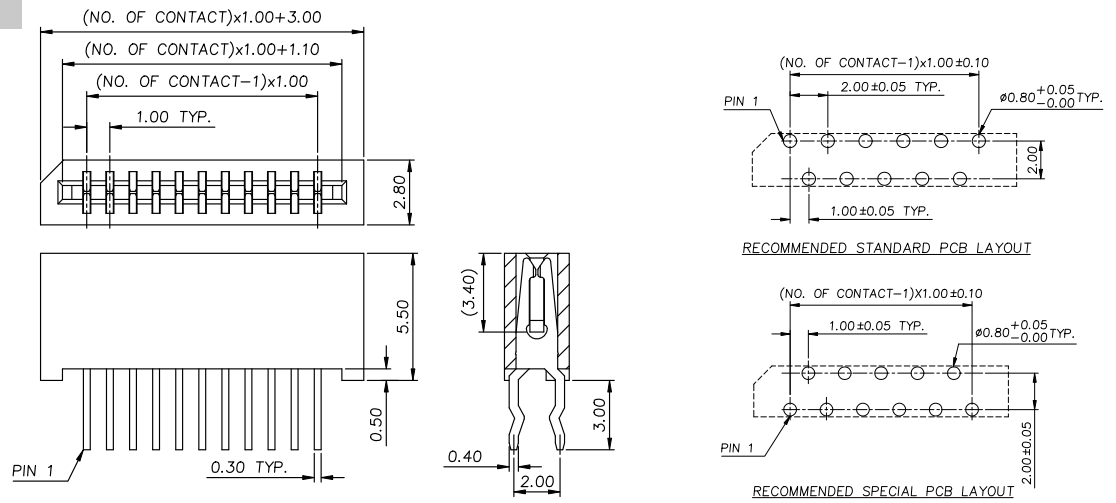
## EFC-PM24-SU X H3

- Modification Code:  
H3:Right Angle(Horizontal) SMT.  
V:Straight(Vertical) SMT.
- No. of Contacts: 4 ~ 34 Pin.
- Contact Configuration:  
SU:Up-side  
SD:Down-side  
S:Straight(Vertical) Type

### Unit : mm



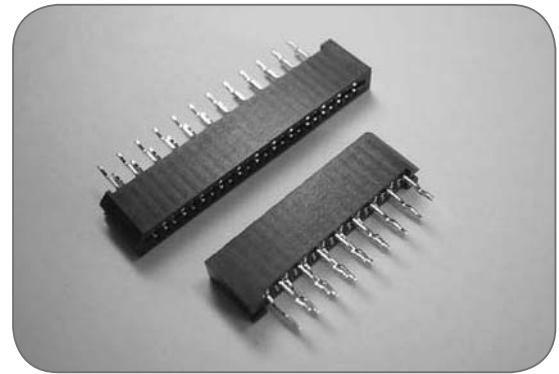
**T02-XX00-1XX0**



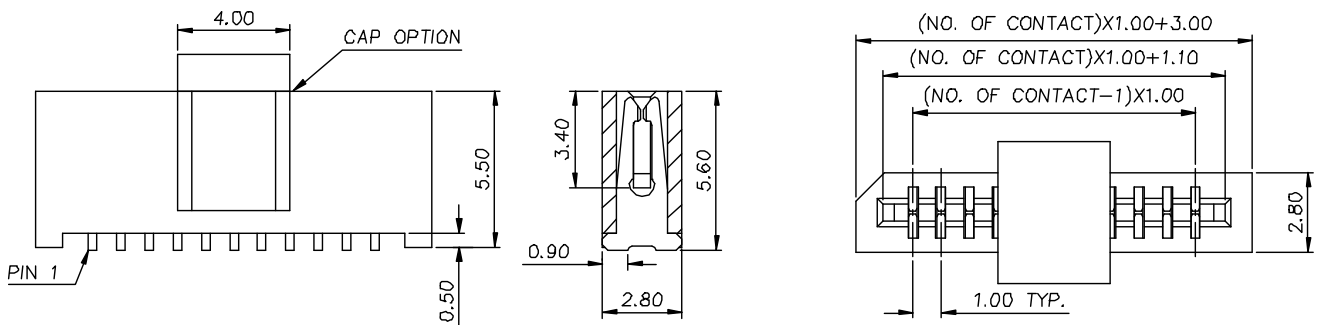
**Order Information**

**T02 - XX00 - 1XX0**

- No. of Contacts (4-30)
- PCB Layout
  - 0 : Standard PCB Layout
  - 1 : Special PCB Layout
- Pack Option
  - 1 : Plastic Tray
  - 2 : Tape & Reel
  - 3 : Tube



**T02-X00X-3XX0**



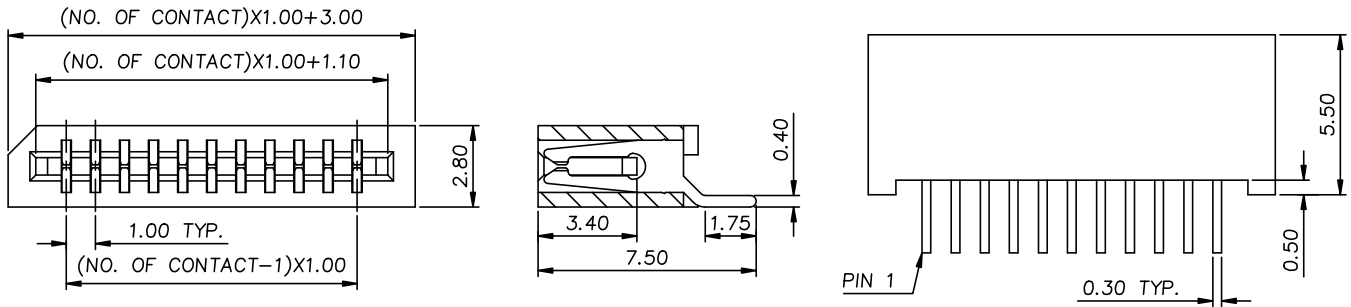
**Order Information**

**T02 - X00X - 3XX0**

- No. of Contacts (4-30)
- Cap Option
  - 0 : Without Cap
  - (Non Available For T&R)
  - 2 : With Cap
- Pack Option
  - 1 : Plastic Tray
  - 2 : Tape & Reel
  - 3 : Tube



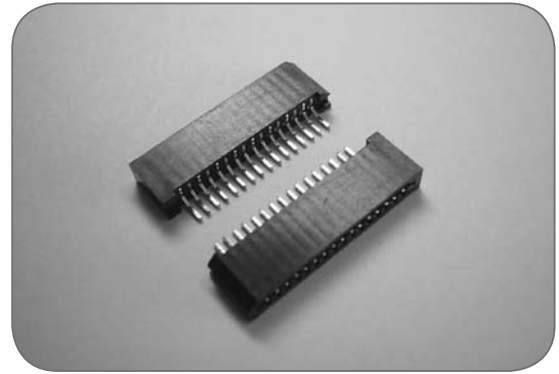
**T02-X0X0-4XX0**



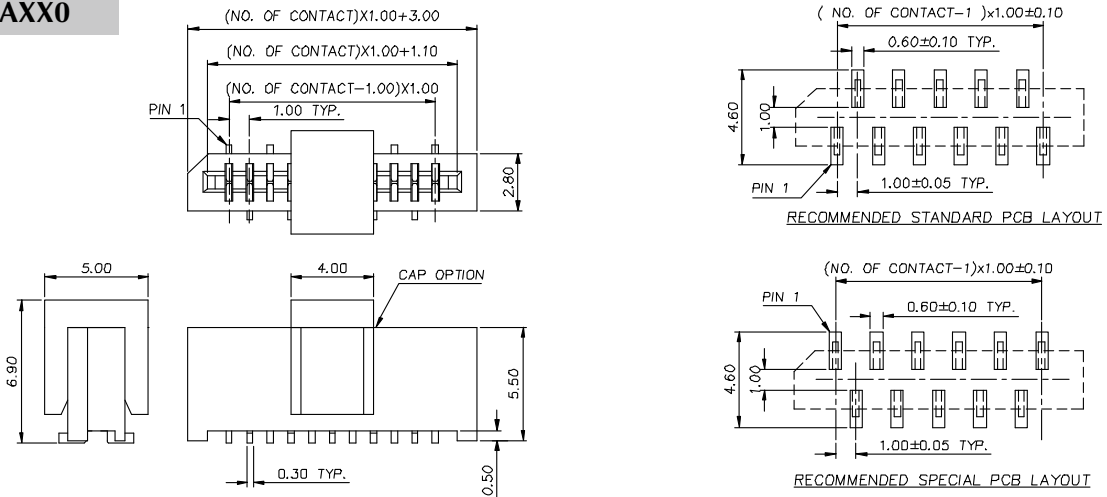
**Order Information**

**T02 - X0X0 - 4XX0**

- No. of Contacts (4-30)
- Material Option
  - 0 : Phosphor Bronze
  - 1 : Brass
- Pack Option
  - 1 : Plastic Tray
  - 2 : Tape & Reel
  - 3 : Tube



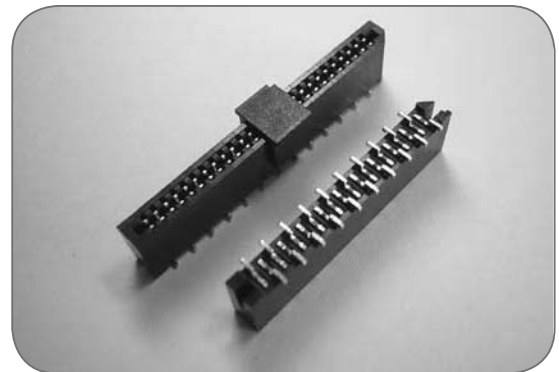
**T02-XX0X-AXX0**



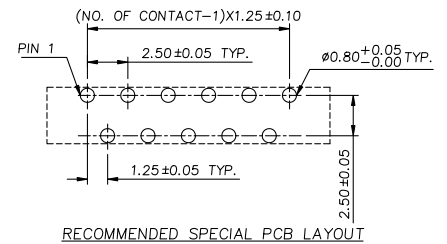
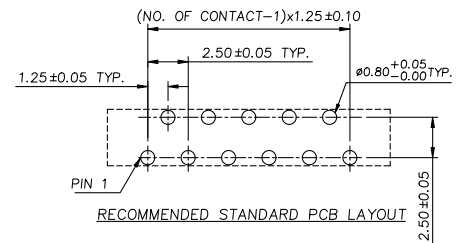
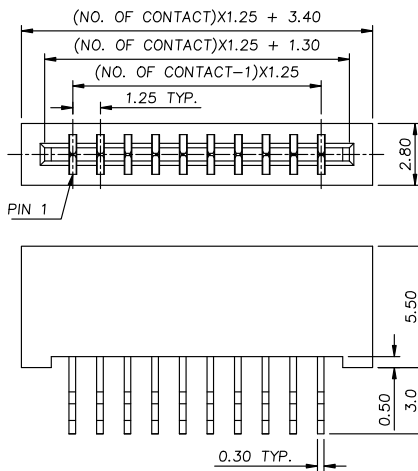
**Order Information**

**T02 - XX0X - AXX0**

- No. of Contacts (4-30)
- Cap Option
  - 0 : Without Cap
  - (Non Available For T&R)
  - 2 : With Cap
- Pack Option
  - 1 : Plastic Tray
  - 2 : Tape & Reel
  - 3 : Tube
- PCB Layout
  - 0 : Standard PCB Layout
  - 1 : Special PCB Layout



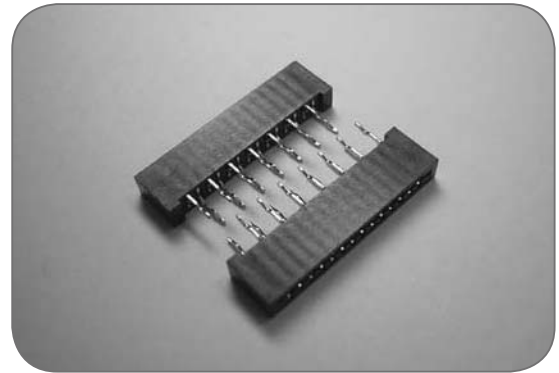
**T42-XX00-1XX0**



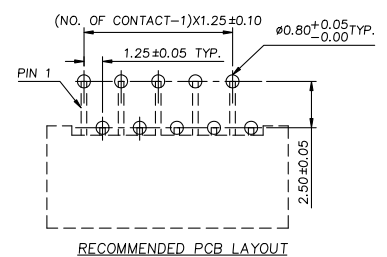
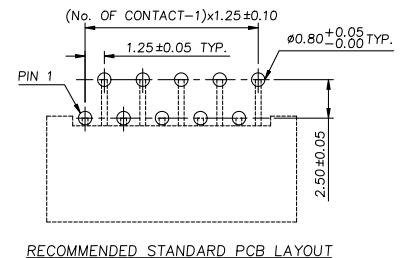
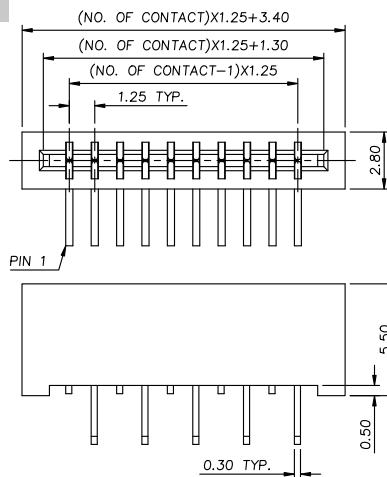
**Order Information**

**T42 - XX00 - 1XX0**

- \_\_\_\_\_ No. of Contacts (4-30)
- \_\_\_\_\_ PCB Layout
  - 0 : Standard PCB Layout
  - 1 : Special PCB Layout
- \_\_\_\_\_ Pack Option
  - 1 : Plastic Tray
  - 3 : Tube



**T42-XX00-7XX0**



**Order Information**

**T42 - XX00 - 7XX0**

- \_\_\_\_\_ No. of Contacts (4-30)
- \_\_\_\_\_ PCB Layout
  - 0 : Standard PCB Layout
  - 1 : Special PCB Layout
- \_\_\_\_\_ Pack Option
  - 1 : Plastic Tray
  - 3 : Tube

